

## SAFETY PRECAUTIONS

1. The device must be installed by a qualified person,
2. Disconnect all power before working on the device. Don't touch any terminal when the power is ON.
3. Verify correct terminal connection when wiring.
4. Don't dismantle or repair the device whether it operates normally, otherwise no responsibility is assumed by producer and seller.
5. Never use the device at the site which can be invaded by corrode gas, strong sunshine light and rain.
6. Clean the device with a dry cloth.
7. Fail to follow these instructions will result in serious injury or death.

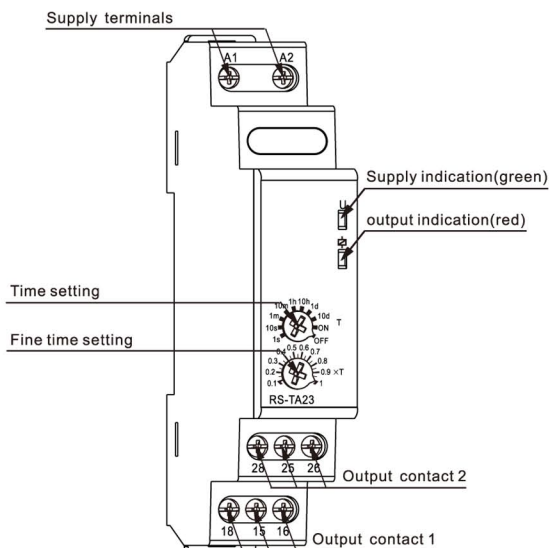
## FEATURES

- Microcontroller based
- Delay on
- 10 time ranges(1s, 10s, 1m, 10m, 1h, 10h, 1d, 10d, ON, OFF)
- Repetition accuracy  $\leq 0.2\%$
- LED indication for power supply and relay status
- 1 Module Din-rail mounting

## TECHNICAL DATA

| Models              | RS-TA14                          | RS-TA24 |
|---------------------|----------------------------------|---------|
| Supply terminals    | A1,A2                            |         |
| Supply voltage      | AC/DC 12- 240V                   |         |
| Rated frequency     | 50/60Hz                          |         |
| Time range          | 0.1s-10days                      |         |
| Setting accuracy    | $<5\%$                           |         |
| Repetition accuracy | $\leq 0.2\%$                     |         |
| Output contacts     | 1 C/O                            | 2 C/O   |
| Current rating      | 16A/AC1                          |         |
| Insulation voltage  | 250V                             |         |
| Protection degree   | IP20                             |         |
| Pollution degree    | 3                                |         |
| Electrical life     | $10^5$                           |         |
| Mechanical life     | $10^6$                           |         |
| Altitude            | $\leq 2000m$                     |         |
| Ambient temperature | $-5^{\circ}C \sim +40^{\circ}C$  |         |
| Storage temperature | $-10^{\circ}C \sim +50^{\circ}C$ |         |
| Wire size           | $0.5mm^2 \sim 1mm^2$             |         |
| Torque              | 0.5Nm                            |         |
| Mounting            | TH-35 DIN-Rail                   |         |

## APPEARANCE

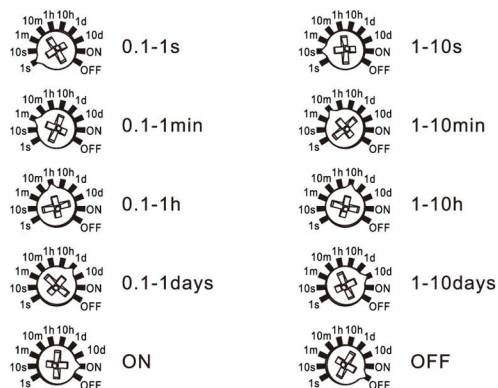


# RS-TA SERIES

## DELAY ON TIME RELAY

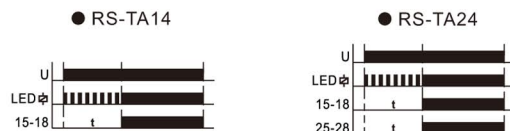
Please read complete instructions prior to installation and operation of the device.

### TIME RANGE

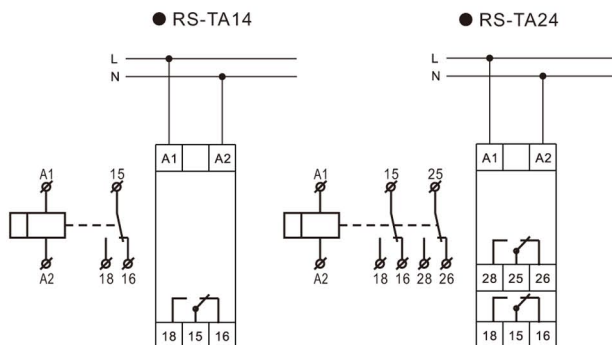


|  |  |   |
|--|--|---|
|  |  | <b>Time adjustment:</b><br>$t = 10m \times 0.3 = 3min$  |
|  |  | <b>Time adjustment:</b><br>$t = 1d \times 0.7 = 0.7day$ |

### FUNCTION DIAGRAMS



### WIRING DIAGRAM



### DIMENSIONS

